



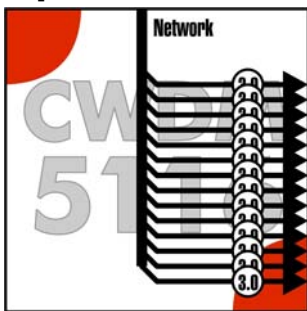
express CWDM/OADM Series

Component Overview

Schematics and Insertion Losses

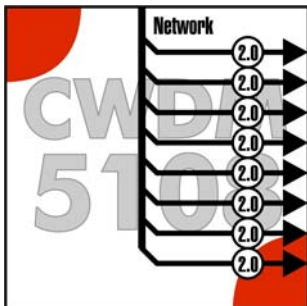
express CWDM Multiplexer Overview

express CWDM 5116 with 16 consecutive CWDM Channels

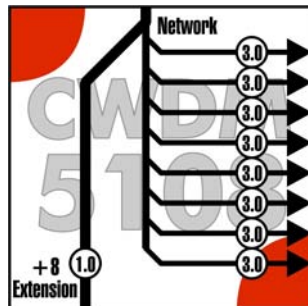


Order Code: G5116-1271-0

express CWDM 5108 with 8 consecutive CWDM Channels

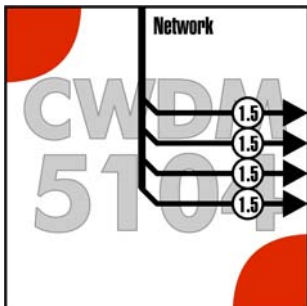


Order Code: G5108-1271-0
 Order Code: G5108-1471-0

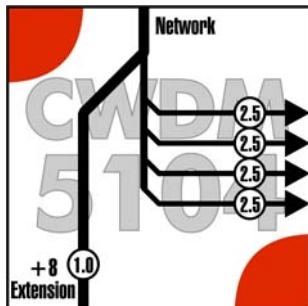


Order Code: G5108-1271-E
 Order Code: G5108-1471-E

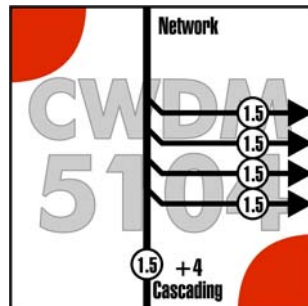
express CWDM 5104 with 4 consecutive CWDM Channels



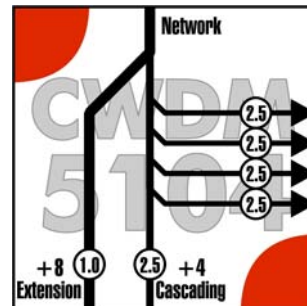
Order Code: G5104-1271-0
 Order Code: G5104-1351-0
 Order Code: G5104-1471-0
 Order Code: G5104-1551-0
 Order Code: G5104-1471-S
 Order Code: G5104-1491-S



Order Code: G5104-1271-E
 Order Code: G5104-1351-E
 Order Code: G5104-1471-E
 Order Code: G5104-1551-E



Order Code: G5104-1271-C
 Order Code: G5104-1351-C
 Order Code: G5104-1471-C
 Order Code: G5104-1551-C



Order Code: G5104-1271-EC
 Order Code: G5104-1351-EC
 Order Code: G5104-1471-EC
 Order Code: G5104-1551-EC

CWDM Multiplexers with a different start channel are available on request.

express CWDM/OADM Series

Component Overview

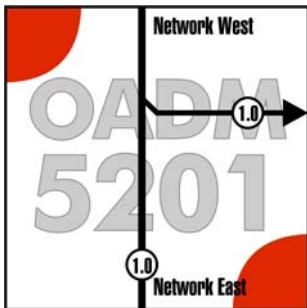
Schematics and Insertion Losses



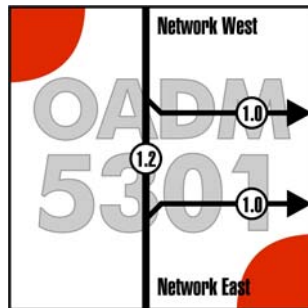
ghip systems GmbH
 Wandsbeker Koenigstrasse 50
 22041 Hamburg, Germany
 Tel. +49 (0)40 65729818
 Fax +49 (0)40 65729819
 sales@ghipsystems.com
 http://www.ghipsystems.com

express CWDM Add/Drop Unit Overview

express OADM 5201 / 5301 with 1 Add/Drop Channel



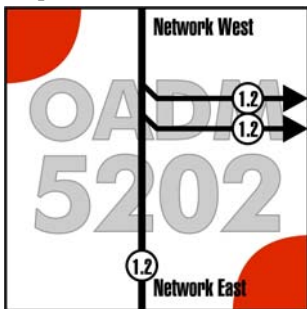
Order Code: G5201-XXXX-0
 Order Code: G5201-XXXX-S



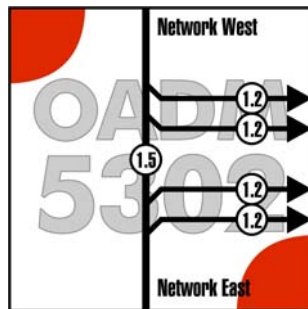
Order Code: G5301-XXXX-0
 Order Code: G5301-XXXX-S

XXXX =
 1271, 1291, 1311, 1331, 1351, 1371, 1431, 1451,
 1471, 1491, 1511, 1531, 1551, 1571, 1591, 1611

express OADM 5202 / 5302 with 2 Add/Drop Channels



Order Code: G5202-XXXX-0

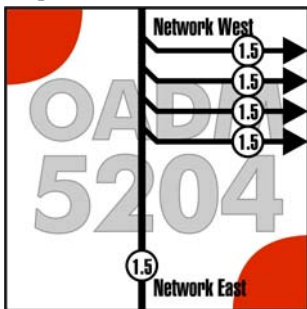


Order Code: G5302-XXXX-0

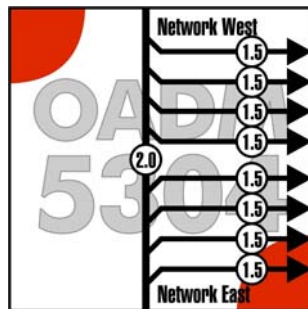
XXXX =
 1271, 1311, 1351, 1431,
 1471, 1511, 1551, 1591

Other CWDM/OADM types with different channels are available on request.

express OADM 5204 / 5304 with 4 Add/Drop Channels



Order Code: G5204-XXXX-0



Order Code: G5304-XXXX-0

XXXX =
 1271, 1351, 1471, 1551

Other CWDM/OADM types with different channels are available on request.